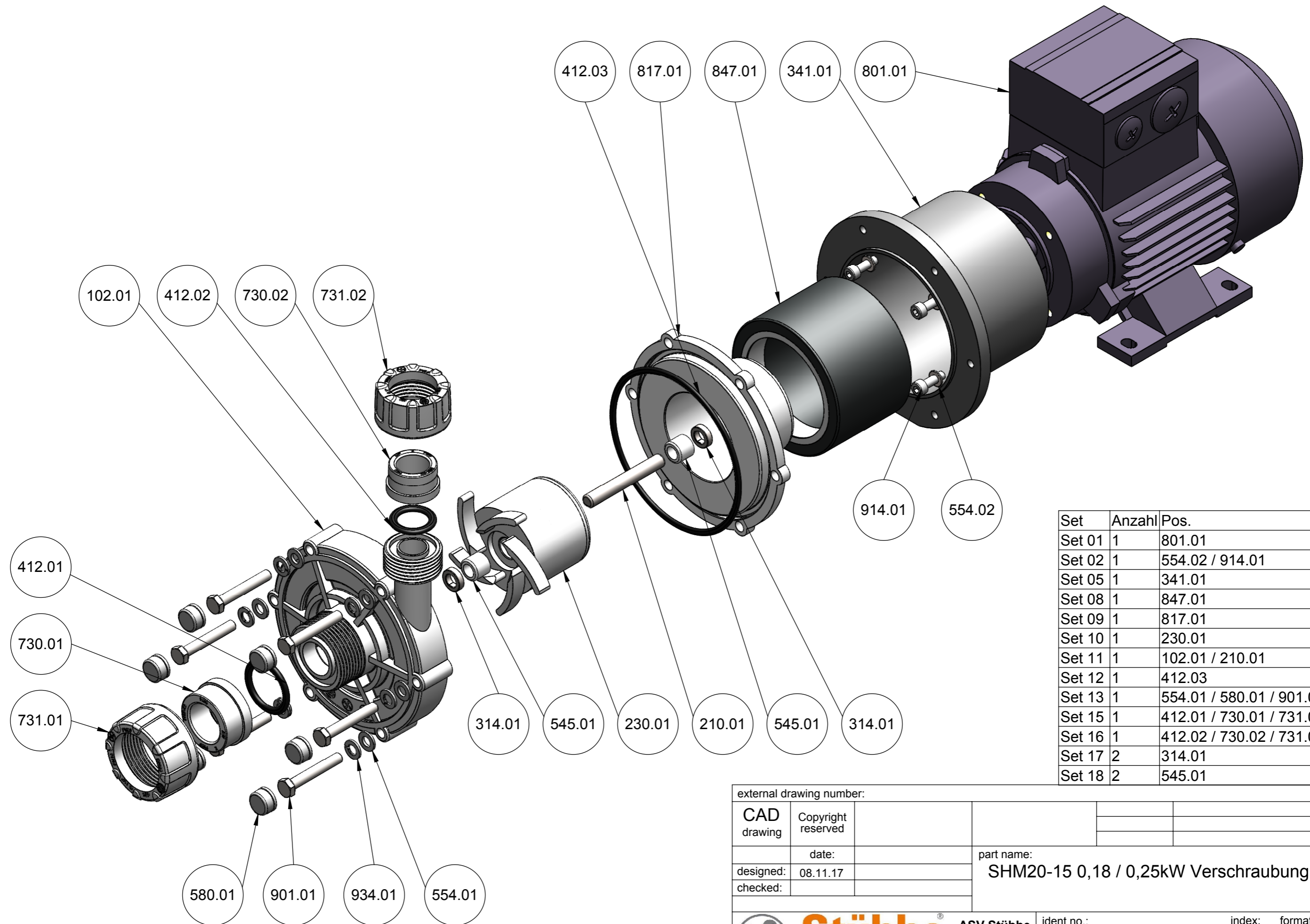


This is a drawing derivation of a 3D model. Changes must be carried out in the 3D model.

external drawing number:					
CAD drawing	Copyright reserved				
	date:		part name:		
designed:	08.11.17		SHM20-15 0,18 / 0,25kW Verschraubung		
checked:					
		ASV Stübbe GmbH & Co.KG Postfach 1765 D-32591 Vlotho	ident no.:	index:	format:
			165065	-	A3
deduced from:		filename: 165065_SHM20-15 0,18-0,25kW Verschraubung			
					sheet: 1 2 sheets



Set	Anzahl	Pos.
Set 01	1	801.01
Set 02	1	554.02 / 914.01
Set 05	1	341.01
Set 08	1	847.01
Set 09	1	817.01
Set 10	1	230.01
Set 11	1	102.01 / 210.01
Set 12	1	412.03
Set 13	1	554.01 / 580.01 / 901.01 / 934.01
Set 15	1	412.01 / 730.01 / 731.01
Set 16	1	412.02 / 730.02 / 731.02
Set 17	2	314.01
Set 18	2	545.01

external drawing number:			
CAD drawing	Copyright reserved		
date:		part name:	
designed: 08.11.17		SHM20-15 0,18 / 0,25kW Verschraubung	
checked:			
ASV Stübbe GmbH & Co.KG Postfach 1765 D-32591 Vlotho		ident no.:	index: format: sheet:
		165065	- A3 2
deduced from:		filename: 165065_SHM20-15 0,18-0,25kW Verschraubung	

This is a drawing derivation of a 3D model. Changes must be carried out in the 3D model.